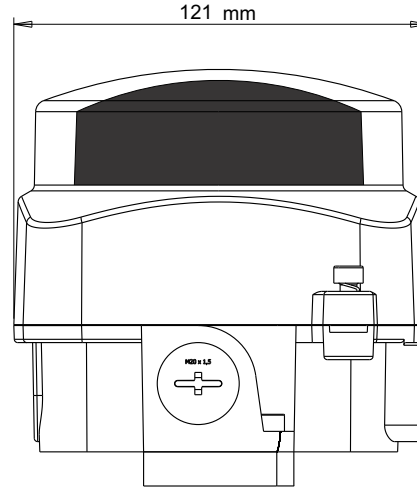
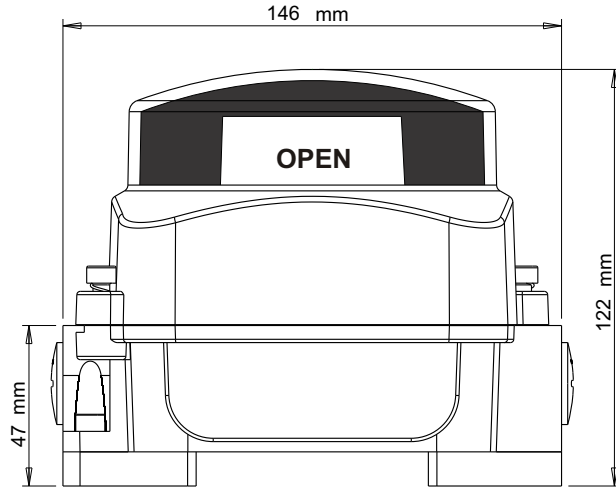
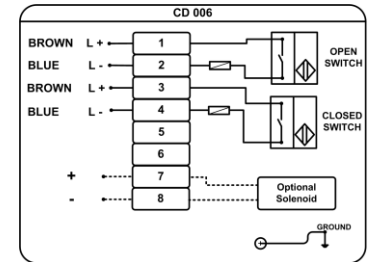


DATA SHEET: LSS-52WARM



WIRING DIAGRAM:



HOUSING:

Materials: Base: - Aluminium
Lid: - Lexan 123R
Shaft: - Stainless Steel
O-rings: - Nitrile

Electrical Entries: 2 x M20
Mounting: VDI/VDE3845 (NAMUR)
Enclosure: IP 68

SENSORS:

Type: Proximity 2-Wire NO
Make: P&F NBB3-V3-Z4
Nominal Voltage: 5-60 VDC
Current Rating: 200 mA
Off State Current: ≤ 1 mA

TREWFIT CONTROLS

www.trewfitcontrols.com