

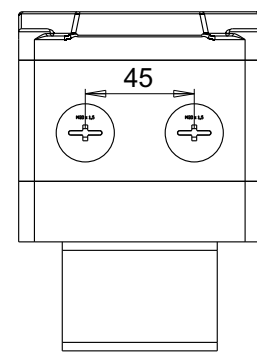
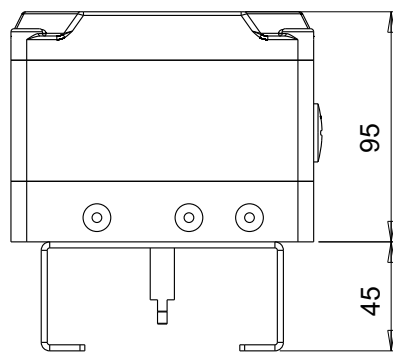
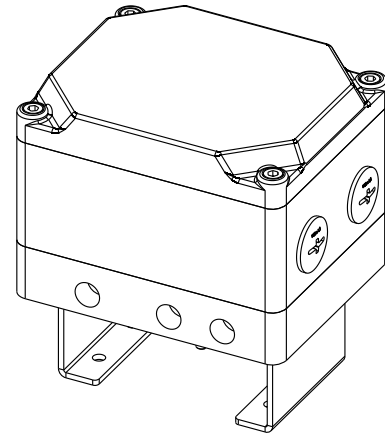
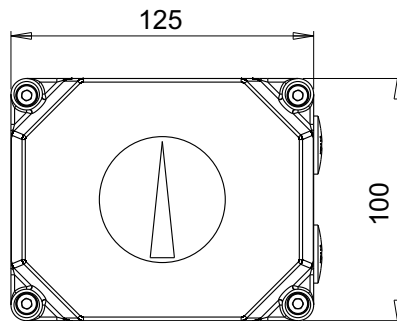
# DATA SHEET: AVP-X50

# SemiSmart Positioner

## TrewFit Controls

Fits Your Global Automation Requirements 

[www.trewfitcontrols.com](http://www.trewfitcontrols.com)



### Description:

The AVP-X50 is suitable for single or double acting rotary actuators and operates on the principle of analog electronic comparison. A 4-20 mA analog input signal is used to obtain an accurate position of the actuator whether it may be a rotary or linear actuator.

The AVP-X50 is a 2 wire instrument, with a 4-20 mA signal providing both the controlling signal and power supply for the electronics. The positioner is fully micro processor controlled and features auto calibrating set up as well as sensitivity setting, equal percentage and quick opening.

### General Specification:

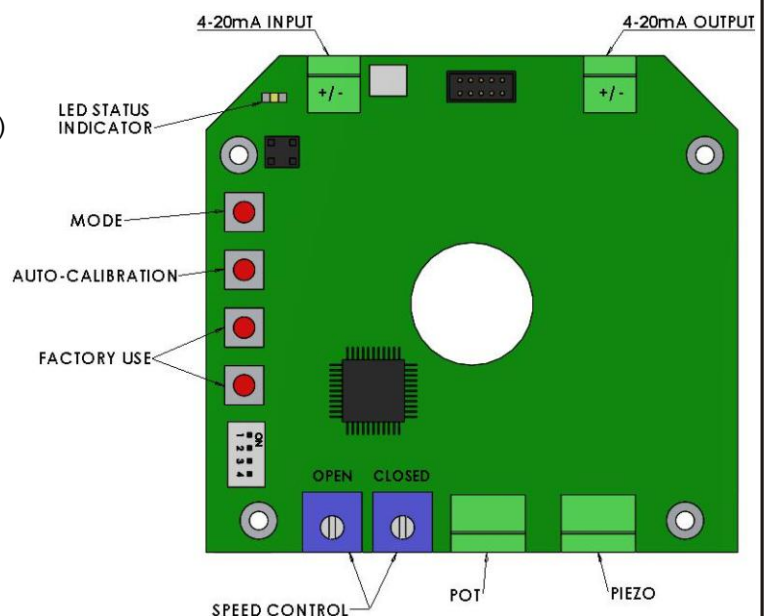
Mounting	: VDI/VDE 3845 (NAMUR)
Conduit Entries	: 2x M20 x 1.5 (Option 2x 1/2' NPT)
Enclosure	: IP 65
Temperature Rating	: -10°C to 50°C
Air Entries	: 1/4' BSP
Air Supply	: 3 to 8 Bar
Air Flow Max	: 221 NI/min. @ 6 Bar
Air Consumption	: 0.083Nm <sup>3</sup> /h @ 6 Bar
Hysteresis	: 2%
Linearity	: 0.9%
Electrical Signal	: 2 Wire 4 to 20 mA ~ 15 – 30 VDC
Resistance	: 300 Ohm @ 20mA

### Materials:

Lid	: Lexan 123R - Clear
Housing	: Aluminium Alloy
Finish	: Anodised Black
Shaft	: Stainless Steel

### Media:

- Non-lubricated instrument air, filtered at 25 microns
- Dew point should be 10°C below environmental temperature
- Air quality class 3-2-3 according to ISO 8573-1



## AVP-X50

SemiSmart Positioner

