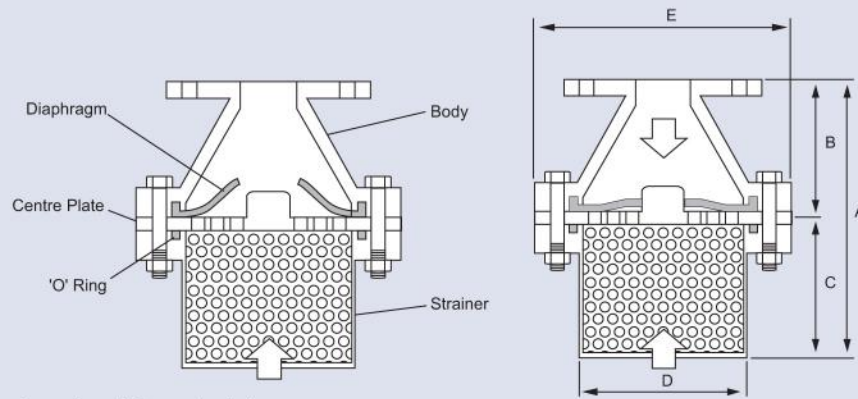


FOOTVALVE

Fig FV16 1 600 KPa
 Body Cast Iron
 Centre Plate Mild Steel
 (BS 4360 Grad 43A)
 Diaphragm EPDM
 Strainer Perforated Steel Plate
 Ends Flanged
 (50 mm upwards)



Note: Also available in alternative diaphragm and centre plate materials.

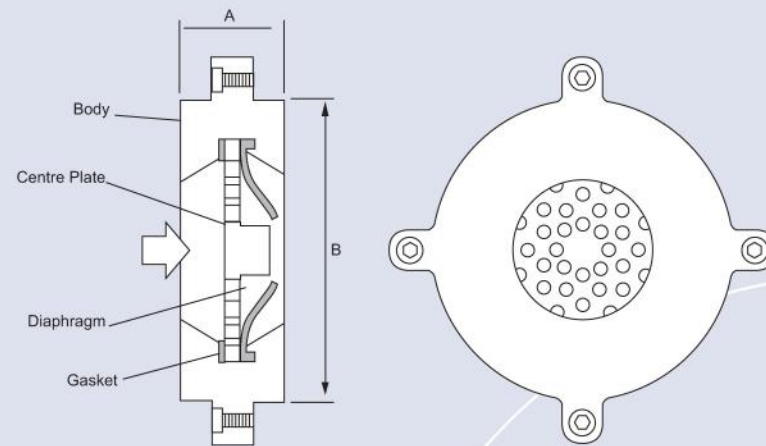


	SIZE (mm)									
	50	80	100	150	200	250	300	350	400	450
A (mm)	224	280	290	306	326	352	440	470	500	584
B (mm)	118	152	157	169	179	192	236	251	270	312
C (mm)	106	128	133	137	147	160	204	219	230	272
D (mm)	110	150	180	300	360	385	495	560	660	760
E (mm)	182	235	280	398	475	525	620	720	790	900
Weight (Kg)	13	20	27	50	69	96	132	176	258	294

WAFER NON-RETURN VALVE

Fig WDV6 600 KPa
 Body Cast Iron
 Centre Plate Mild Steel
 (BS 4360 Grad 43A)
 Diaphragm EPDM

Note: Also available in alternative diaphragm and centre plate materials.



	SIZE (mm)						
	50	80	100	150	200	250	300
A (mm)	43	65	64	76	89	114	114
B (mm)	109	144	164	220	275	330	380
Weight (Kg)	3	6	10	19	35	60	90



DISTRIBUTOR



PALTECH

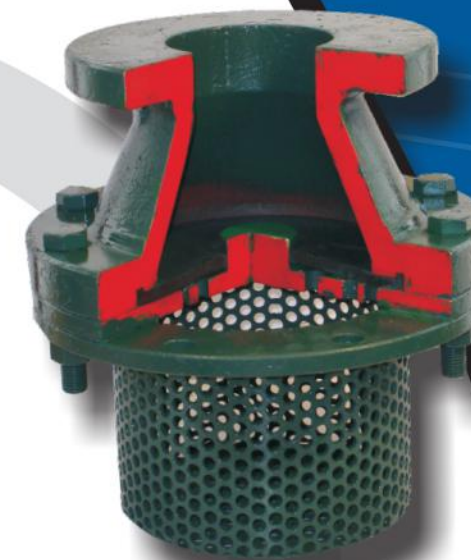
ADVANCED VALVE TECHNOLOGY



FLANGED



WAFER



FOOTVALVE

DIAPHRAGM

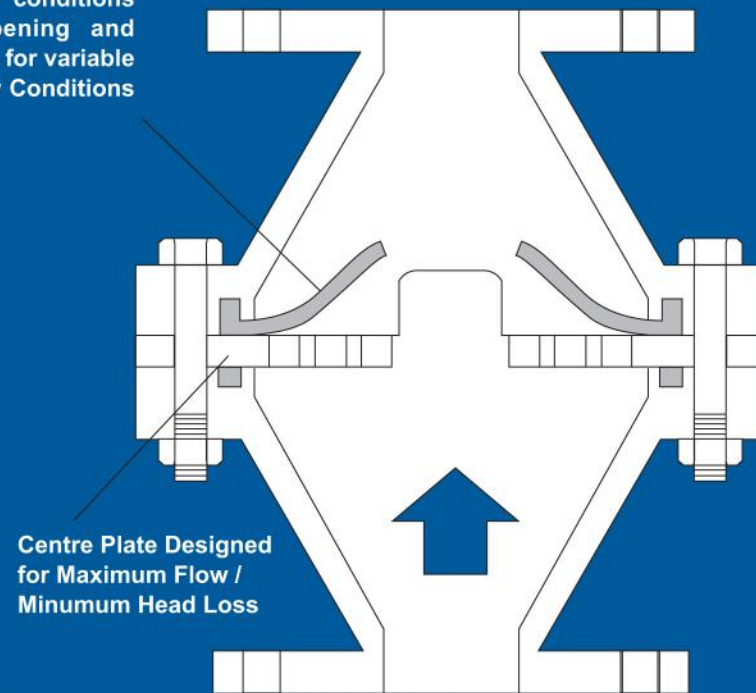
NON RETURN

AND FOOT VALVES

FEATURING

- Quiet operation
- Water hammer minimised
- Extremely reliable
- Adapts to fluctuations in flow rates
- No mechanical moving or wearing parts
- Drop tight sealing

Flexible membrane changes shape under flow conditions progressively opening and closing - Excellent for variable and pulsating flow Conditions



Centre Plate Designed for Maximum Flow / Minimum Head Loss

DIAPHRAGM WAFER

NON RETURN VALVES

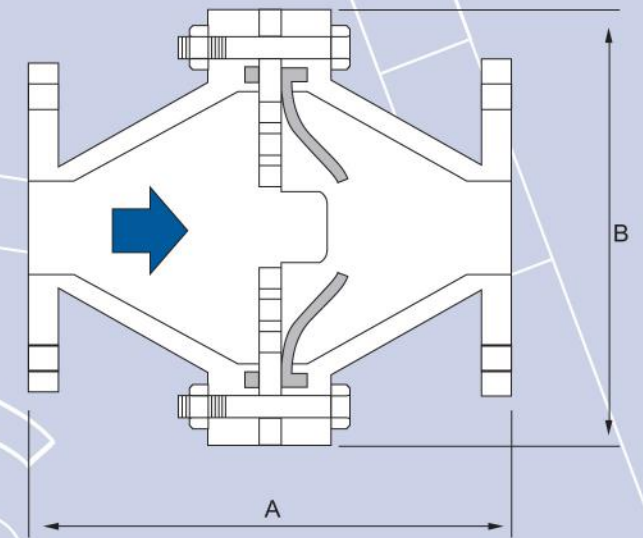
FOR PUMP SUCTION ENDS

AND FOOTVALVES

FLANGED NON-RETURN VALVE

Fig FDV16 1 600 KPa
Fig FDV25 2 500 KPa
 Body Cast Iron
 Centre Plate Mild Steel (BS 4360 Grad 43A)
 Diaphragm EPDM
 Ends Flanged
 Other materials on request

Fig FDV40 4 000 KPa
 Body Sg Iron (50mm - 200mm)
 Fabricated Mild Steel (250mm - 600mm)
 Centre Plate Mild Steel (BS 4360 Grade 43A)
 Diaphragm EPDM
 Ends Flanged
 Other materials on request



Note: Also available in alternative diaphragm and centre plate materials.

FDV	SIZE (mm)	SIZE (mm)											
		50	80	100	150	200	250	300	350	400	450	500	600
FDV 16	A (mm)	224	280	290	306	326	352	440	470	500	584	612	820
	B (mm)	182	235	280	398	475	525	620	720	790	900	1010	1360
	Weight (Kg)	20	31	43	79	110	153	209	280	410	466	600	875
FDV 25	A (mm)	224	280	290	306	326	352	440	470	500	584	612	820
	B (mm)	182	235	280	398	475	525	620	720	790	900	1010	1360
	Weight (Kg)	21	32	44	81	112	156	213	286	418	475	612	893
FDV 40	A (mm)	224	280	290	306	326	352	440	470	500	584	612	820
	B (mm)	182	235	280	395	475	525	620	720	790	900	1010	1360
	Weight (Kg)	22	33	45	83	114	159	217	292	426	485	625	911

COMPARATIVE WATER HAMMER EFFECT

Water hammer detected downstream of a valve, when a pump stops suddenly. Po: initial pressure.

