

Product data sheet

Sheet No.: 1.604.09 - Rev: A, Page 1 of 3

Date: March, 2010

FieldQ

Smart - Control Modules

QC31: DeviceNet

Description:

This FieldQ Control Module offers an integrated concept for valve automation. Its compact and robust construction incorporates basic control and feedback functionality and communicates through the DeviceNet™ protocol.

Construction

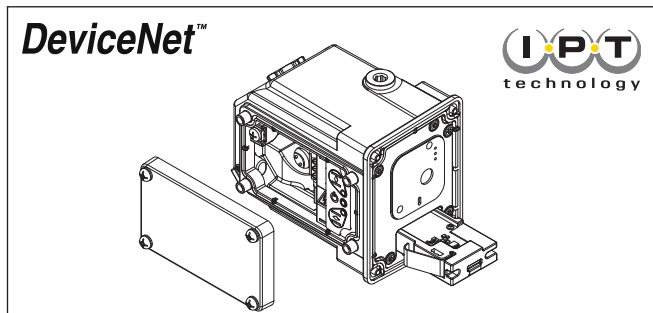
The Control Module is mounted at the side of the Pneumatic Module in front of the basic actuator housing. Inside are terminals available for connecting DeviceNet™ wiring. Two cable entries are available for this purpose.

Features

- ODVA DeviceNet™ digital communication.
- **Supports both single and double acting actuators.**
- **One entry for all wiring** (control and feedback), using DeviceNet cabling.
- **IPT-technology** (Intelligent Position Tracking).
- **Automatic initialization** for easy setup of the actuator. **Pressing 4 seconds** simultaneously the "Open" and "Closed" reassignment buttons starts auto-initialization procedure and sets automatically the feedback limit switches.
- **Readjustable or Reversible position feedback** using the reassignment buttons.
- **Three indication LED's** for "Status", "Open" and "Closed" position. Status LED indicates:

Initialization procedure running	Blinking
Successful initialization procedure	LED is on
No or failed initialization	Flashing

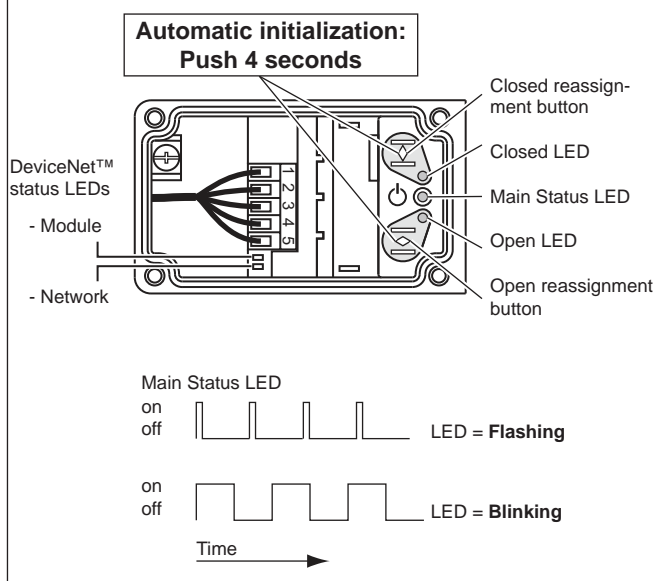
- Control Module **is easily plugged in** the Pneumatic Module.
- Modular functionality for **easy update** towards present and future bus systems.
- **The power supply and all inputs and outputs are galvanic isolated** which offers greater flexibility for systems connection.



General specifications

Material housing	: Aluminium alloy
Electrical connections	: Internal terminal strip
	: Optional quick connector
Cable entries	: 2x M20x1.5 or 2x 1/2"NPT
Enclosure	: IP65 / NEMA 4X
Finish	: Polyester non-TGIC based powder coating.
Operating media	: Air or inert gasses, filtered at 50 micron.
Temperature	: -20° to +80°C / -4° to +176°F
Dimensions	: See 1.603.01 metric
	: See 1.603.04 imperial/UNC
	: See 1.603.02 DIN 3337

FieldQ Button board and wiring compartment



www.FieldQ.com

Copyright © Emerson Process Management. The information in this document is subject to change without notice. Updated data sheets can be obtained from our web site www.Fieldq.com or from your nearest Valve Automation Center:

America's: +1 813 630 2255 (fax +1 630 9449) Europe: +31 74 256 10 10 (fax +31 74 291 09 38) Asia/Pacific: +65 626 24 515 (fax +65 626 80 028)



EMERSON
Process Management

Product data sheet

Sheet No.: 1.604.09 - Rev: A, Page 2 of 3

Date: March, 2010

FieldQ

Communication Protocol:

General purpose discrete I/O, Class 7 with objects

Table 1 Protocol details and specifications

Common and DeviceNet specific Objects	Class ID	Instance ID(s)
Identity Object	1	1
Message Router Object	2	1
DeviceNet Object	3	1
Assembly Object	4	100, 101
Connection Object	5	1, 2, 4, 5, 6, 7
Discrete Input Point Object	8	100, 101
Discrete Output Point Object	9	100
Analog Input Point Object	10	100
Controller Object	100	1
Monitor Object	101	1
Device Conformance	ODVA DeviceNet Spec Vol.I Rev 3.7 & Vol. III Rev 1.8	
Communications	Prefined Master/Slave Connection Set, Group 2 Server.	
I/O Protocols	Polled I/O, Change of State (COS), Cyclic, Explicit and Dynamic Explicit connection objects.	
Baud Rate	Default set to "Auto-baud Can be set to 125, 250 or 500kb/sec	
Refresh rate	400 ms (2.5 kHz) minimum	
DeviceNet Connection	5 pole terminal, or quick connector	
Voltage isolation	None	
Nominal Power	120mA @ 11VDC 75mA @ 25VDC	
Maximum Power	2.0 W	

Options

Manual Control

- Can be added as kit or factory option in 2 versions, "Push button" or a "Push and lock" button.

Glands and plugs

- FieldQ Control Modules can be shipped with plastic or metal glands (M20x1.5 or 1/2"NPT) and rated IP65 or higher.

Hazardous area executions:

- The DeviceNet™ Control Module QC31 is available with optional Non-Incendive or Non-Sparking approvals as listed below:

- FM : Non-Incendive, Class I, II, III, Div.2,
Groups ABCDEFG, T4, Type 4X/IP65
: Class I, Zone 2, IIC T4
: Certificate : 3017626

- CSA : Non Incendive: Class I, II, III, Div.2,
Groups ABCDEFG, T4
: Ex nA II T4 (Class I, Zone 2)
: DIP A22 TA 90°C
: Certificate : 1477696

Ambient temperature:

T4 @ Ta = : -20°C...+80°C (-4°F...176°F)

DeviceNet™ terminal wiring connections:

Detailed Non-Incendive / Non-sparking wiring instructions, will be shipped with the product, see control drawing: see Installation Guide : DOC.IG.QC31.1

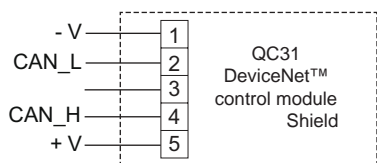
Wiring dimensions

Cable range : 0.2 - 2.5mm² or 30-12 AWG

Quick connector:

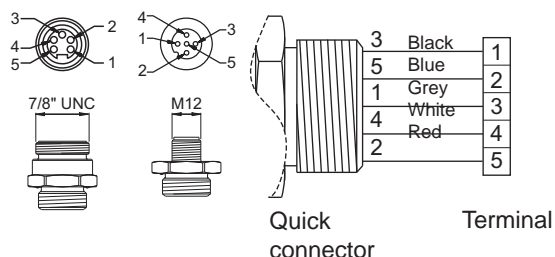
- The DeviceNet™ Module can optionally be equipped with prewired quick connectors. Two versions are available: 7/8" or M12 (male chassis part)
- Quick connectors, as shown below, are excluded for non-Incendive or non-sparking use in hazardous area's classified as Zone 2 or 22 or CI I, II, III, Div. 2.

DeviceNet™ terminal wiring connections:



Quick connector pinouts:

(male chassis part)



www.FieldQ.com

Copyright © Emerson Process Management. The information in this document is subject to change without notice. Updated data sheets can be obtained from our web site www.Fieldq.com or from your nearest Valve Automation Center:

America's: +1 813 630 2255 (fax +1 630 9449) Europe: +31 74 256 10 10 (fax +31 74 291 09 38) Asia/Pacific: +65 626 24 515 (fax +65 626 80 028)



EMERSON
Process Management

Product data sheet

Sheet No.: 1.604.09 - Rev: A, Page 3 of 3

Date: March, 2010

FieldQ

DeviceNet™ status LEDs

Status feedback is provided according to the DeviceNet™ standard. For more detailed information on button board functionality and LED indications, see Installation Guide : DOC.IG.QC31.1

Diagnostics on QC31 DeviceNet™ Control module

The FieldQ Control Module with DeviceNet™ communication has diagnostic capabilities. These process parameters can give information about communication condition, valve and/or actuator unit. It enables to predict failures in advance and makes maintenance easier to schedule.

Monitor Object

The QC31 DeviceNet™ Control module presents its diagnostics through the Instance Attributes of the Monitor Object, Class ID 101 (65_{hex}) as shown in table 2 and 3.

Table 2 Monitor Object Instance Attributes

Attribute ID	Name
1	Device Status
2	Zero power condition: 1 = Open, 0 = Close
3	Recognize unit status
4	Position
5	Time in position
6	Open travel timer
7	Close travel timer
8	Cycle counter
9	Average Open travel timer
10	Average Close travel timer
11	Selected FieldQ command to open and close

Table 3 Device Status Attributes

Bit	Description
0	Internal communications lost (set by DeviceNet firmware)
1	GMR_error
2	Temp_sensor_error
3	System_temp_exceeded
4	Software_error
5	travel_deviation
6	Shutdown_set
7	Unknown error
8	Init_bad_repeatability
9	Init_running
10	Init_stopped
11	Init_range_error
12	Init_timed_out
13	n/a
14	Init_ok
15	Init_default



www.FieldQ.com

Copyright © Emerson Process Management. The information in this document is subject to change without notice. Updated data sheets can be obtained from our web site www.Fieldq.com or from your nearest Valve Automation Center:

America's: +1 813 630 2255 (fax +1 630 9449) Europe: +31 74 256 10 10 (fax +31 74 291 09 38) Asia/Pacific: +65 626 24 515 (fax +65 626 80 028)



EMERSON
Process Management