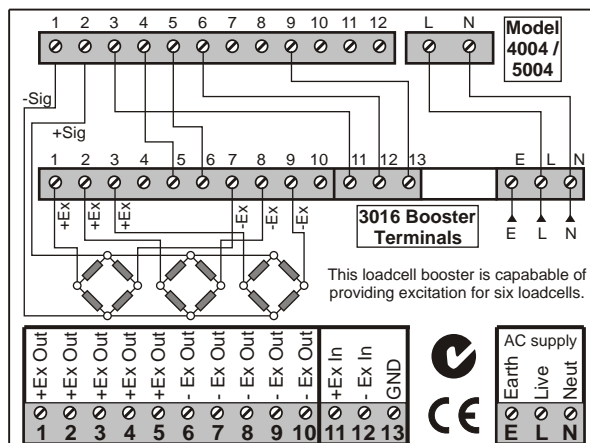


OPTION 3016

LOAD CELL BOOSTER.

- This unit is used in conjunction with a load cell meter.
- The unit boosts the load cell capability to a maximum of 6 350 OHM cells.



NOTE: The 3010 switch mode supply can also be used.



P O Box 418, Honeydew 2040 South Africa
21 Precision Street, Kyasand Randburg.
Telephone: +27 11 462-1920
Telefax: +27 11 462-1958
email: info@instrotech.co.za
web: www.instrotech.co.za

